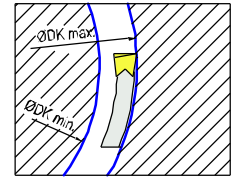
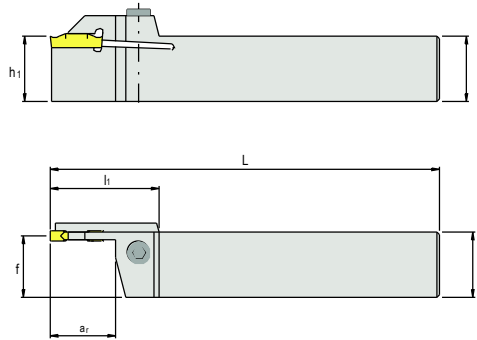
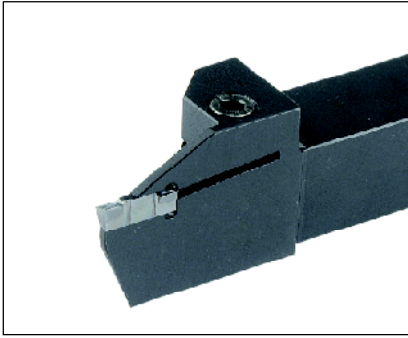
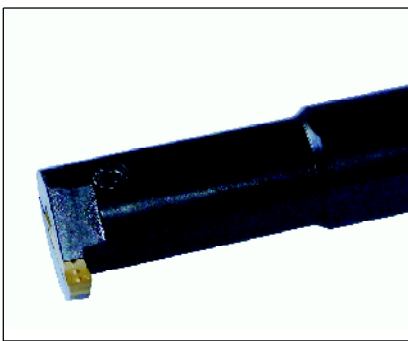


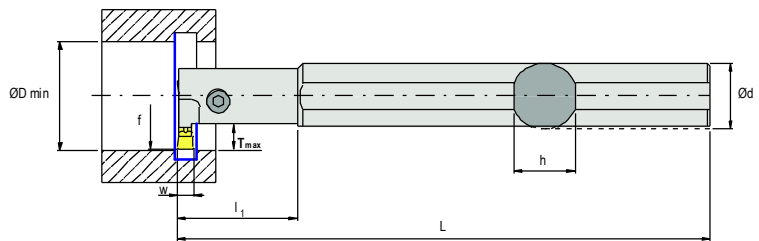
**Alın Kanal Katerleri**  
Turning - Face Grooving  
Drehen - Axial Einstechen



Kod Code Bezeichnung	Ölçüler Dimensions Abmessungen								ØDK min.	ØDK max.	Anahtar Wrench Schlüssel	Sıkma Vidası Clamp screw Klemmschraube	Uç Tipi Insert Type Plattentype
	a <sub>r</sub>	b	f	h	h <sub>1</sub>	l <sub>1</sub>	L						
CGFCR/L 25 25 M3 F10 D30N	10	25	23.95	25	25	38	150	24	35	Ta5	M6 x 25	ED LCMR 3.00.	
25 25 M3 F10 D35N	10	25	23.95	25	25	38	150	29	42				
25 25 M3 F10 D42	10	25	23.95	25	25	38	150	36	50				
25 25 M3 F15 D50N	15	25	23.95	25	25	38	150	44	70				
25 25 M3 F15 D70	15	25	23.95	25	25	38	150	64	100				
25 25 M4 F10 D30	10	25	23.55	25	25	39	150	22	36				
25 25 M4 F20 D36	20	25	23.55	25	25	39	150	28	42				
25 25 M4 F20 D42	20	25	23.55	25	25	39	150	34	50				
25 25 M4 F20 D50	20	25	23.55	25	25	39	150	42	70				
25 25 M4 F20 D70	20	25	23.55	25	25	39	150	62	120				
25 25 M4 F20 D120	20	25	23.55	25	25	39	150	112	200				
25 25 M5 F25 D60	25	25	23.05	25	25	49	150	50	80				
25 25 M5 F25 D80	25	25	23.05	25	25	49	150	70	110	ED LCMR 5.00..			
25 25 M5 F25 D110	25	25	23.05	25	25	49	150	100	150				
25 25 M5 F25 D150	25	25	23.05	25	25	49	150	140	200				
25 25 M6 F25 D60	25	25	22.55	25	25	49	150	48	70				
25 25 M6 F25 D70	25	25	22.55	25	25	49	150	58	100	ED LCMR 6.00..			
25 25 M6 F25 D100	25	25	22.55	25	25	49	150	88	180				
25 25 M6 F25 D180	25	25	22.55	25	25	49	150	168	400				



**Delik Kanal Katerleri**  
Turning - Internal Grooving / Drehen - Innen Einstechen



Kod Code Bezeichnung	Ölçüler Dimensions Abmessungen								Anahtar Wrench Schlüssel	Sıkma Vidası Clamp screw Klemmschraube	Uç Tipi Insert Type Plattentype
	Ød	L	l <sub>1</sub>	f	h <sub>1</sub>	w	T <sub>max</sub>				
S 20S	CGACR/L 3	20	250	40	15.8	9	3	6.5	Ta4	M5 x 16	ED LCMR 3.00.....
	CGACR/L 4	20	250	40	15.8	9	4	6.5			ED LCMR 4.00.....
S 25T	CGACR/L 3	25	300	40	17.5	11.5	3	6.5			ED LCMR 3.00.....
	CGACR/L 4	25	300	40	17.5	11.5	4	6.5			ED LCMR 4.00.....
S 32U	CGACR/L 5	25	300	40	17.5	11.5	5	6.5	Ta5	M6 x 25	ED LCMR 5.00.....
	CGACR/L 4	32	350	60	20.8	14	4	6.5	Ta4	M5 x 16	ED LCMR 4.00.....
	CGACR/L 5	32	350	60	20.8	14	5	6.5	Ta5	M6 x 25	ED LCMR 5.00.....
	CGACR/L 6	32	350	60	20.8	14	6	6.5			ED LCMR 6.00.....
S 40 U	CGACR/L 8	32	350	60	21.3	14.5	8	6.5	Ta5	M6 x 25	ED LCMR 6.00.....
	CGACR/L 8	40	400	65	28.8	19	8	6.5			ED LCMR 8.00.....

R : Sağ / Right / Rechte L : Sol / Left / Linke

Sipariş Örneği / Ordering Example / Bestellbeispiel ab Lager : CGFCR 25 25 M3 F15 D70